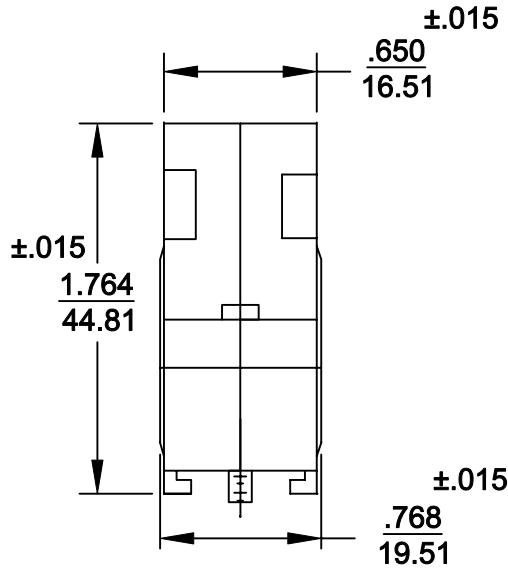
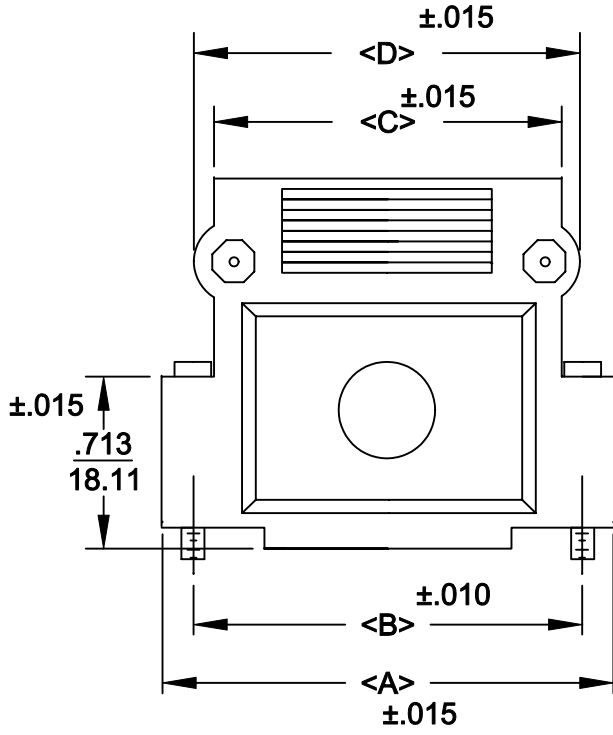


DESCRIPTION: 976 SERIES

- BACKSHELL KIT INCLUDES:**
- (2) BACKSHELL HALVES
  - (2) 4-40 MATING SCREWS
  - (2) HOUSING SCREWS
  - (2) HOUSING NUTS



976-XXX-XXXRXX1

SERIES \_\_\_\_\_  
 POSITIONS \_\_\_\_\_  
 009  
 015  
 025  
 037  
 MATERIAL \_\_\_\_\_  
 010 = PLASTIC  
 020 = METALIZED PLASTIC  
 COLOR: \_\_\_\_\_  
 03 = GREY  
 12 = NICKEL OVER COPPER  
 PUT-UPS \_\_\_\_\_  
 1 = KIT

| POS. | A     | B     | C     | D     |
|------|-------|-------|-------|-------|
| 9    | 1.319 | .984  | .758  | .946  |
|      | 33.50 | 24.99 | 19.25 | 24.03 |
| 15   | 1.622 | 1.312 | 1.102 | 1.289 |
|      | 41.20 | 33.32 | 27.99 | 32.74 |
| 25   | 2.157 | 1.852 | 1.642 | 1.874 |
|      | 54.79 | 47.04 | 41.71 | 47.60 |
| 37   | 2.815 | 2.500 | 2.283 | 2.470 |
|      | 71.50 | 63.50 | 57.99 | 62.74 |

**METALIZED PLASTIC:**  
 MATERIALS: ABS HIGH TEMPERATURE PLASTIC 94HB  
 PLATING: CHROME - ELECTROPLATED  
**PLASTIC:**  
 MATERIALS: ABS HIGH TEMPERATURE PLASTIC 94HB - GREY  
 RoHS COMPLIANT

|                |   |                                   |                              |                         |
|----------------|---|-----------------------------------|------------------------------|-------------------------|
|                | THESE DRAWINGS AND SPECIFICATIONS ARE THE PROPERTY OF NorComp AND SHALL NOT BE REPRODUCED, COPIED OR USED AS THE BASIS FOR THE MANUFACTURE OR SALE OF APPARATUS WITHOUT WRITTEN PERMISSION. |                                   | DRAWN:<br><b>PAM JENKINS</b> | DATE:<br><b>7-28-05</b> |
|                |   |                                   | CHECKED:                     | DATE:                   |
| <b>NorComp</b> |   | SCALE                             | SHEET OF                     | REV <b>1</b>            |
|                |   | DWG NO.<br><b>976-XXX-0X0RXX1</b> |                              |                         |